

## Report Summary



## Total Length, Area and Pitch Summary

|                             |   |
|-----------------------------|---|
| <b>Total Area (Sqft)</b>    | <b>3501</b>   |
| <b>Pitched Facet (Sqft)</b> | <b>3501</b>   |
| <b>Primary Pitch</b>        | 10:12   |
| <b>FlatFacet (Sqft)</b>     | 121   |
| <b>Ridges (ft)</b>          | 000   |
| <b>Hips (ft)</b>            | 29.2  |
| <b>Valleys (ft)</b>         | 26.4  |
| <b>Rakes (ft)</b>           | 111.2   |
| <b>Eaves (ft)</b>           | 169.0   |
| <b>Rakes + Eaves (ft)</b>   | 280.2   |
| <b>Apron Flashing (ft)</b>  | 46.2  |
| <b>Step Flashing (ft)</b>   | 46.6  |
| <b>Total Skylights</b>      | 0   |
| <b>Total Chimneys</b>       | 1   |
| <b>Location Link</b>        | <a href="https://gogl.to/3WjM">https://gogl.to/3WjM</a> |

### MAIN BUILDING (BREAK DOWN)

|                            |             |
|----------------------------|-------------|
| <b>Total Area (Sqft)</b>   | <b>1831</b> |
| <b>Ridges (ft)</b>         | 47.7        |
| <b>Hips (ft)</b>           | 29.2        |
| <b>Valleys (ft)</b>        | 26.4        |
| <b>Rakes (ft)</b>          | 111.2       |
| <b>Eaves (ft)</b>          | 169.0       |
| <b>Rakes + Eaves (ft)</b>  | 280.2       |
| <b>Apron Flashing (ft)</b> | 46.2        |
| <b>Step Flashing (ft)</b>  | 46.6        |

### DETACHED BUILDING (BREAK DOWN)

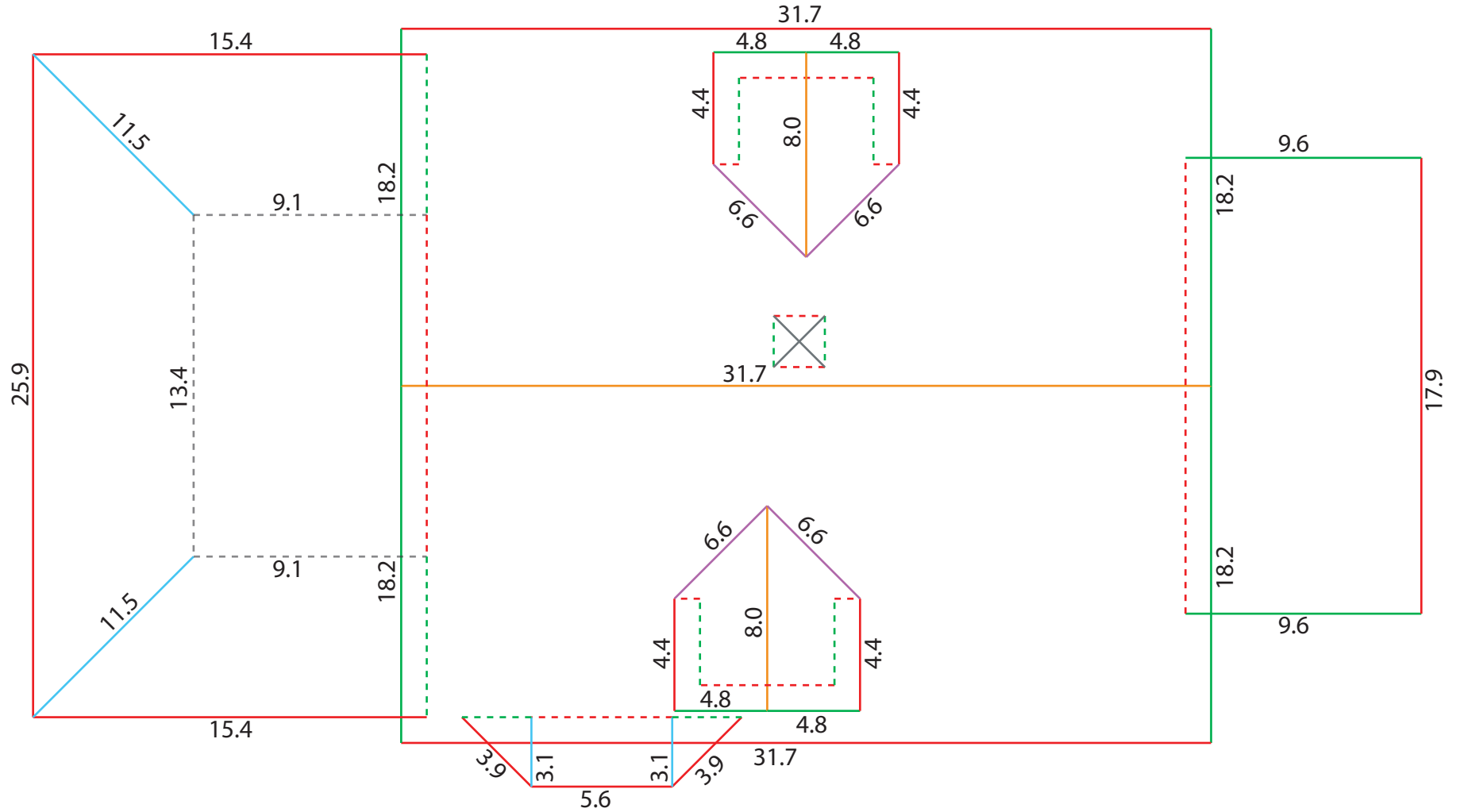
|                            |             |
|----------------------------|-------------|
| <b>Total Area (Sqft)</b>   | <b>1670</b> |
| <b>Ridges (ft)</b>         | 45.3        |
| <b>Hips (ft)</b>           | 0           |
| <b>Valleys (ft)</b>        | 0           |
| <b>Rakes (ft)</b>          | 73.6        |
| <b>Eaves (ft)</b>          | 90.6        |
| <b>Rakes + Eaves (ft)</b>  | 147.2       |
| <b>Apron Flashing (ft)</b> | 0           |
| <b>Step Flashing (ft)</b>  | 0           |

### PITCH TABLE Area (Sqft)

| Pitch/Slope  | Area        |
|--------------|-------------|
| 10:12        | 3501        |
| <b>Total</b> | <b>3501</b> |

Notes:

## Length Measurements



### Legend

**Eaves = 169.0 ft**

**Rakes = 111.2 ft**

**Ridges = 47.7 ft**

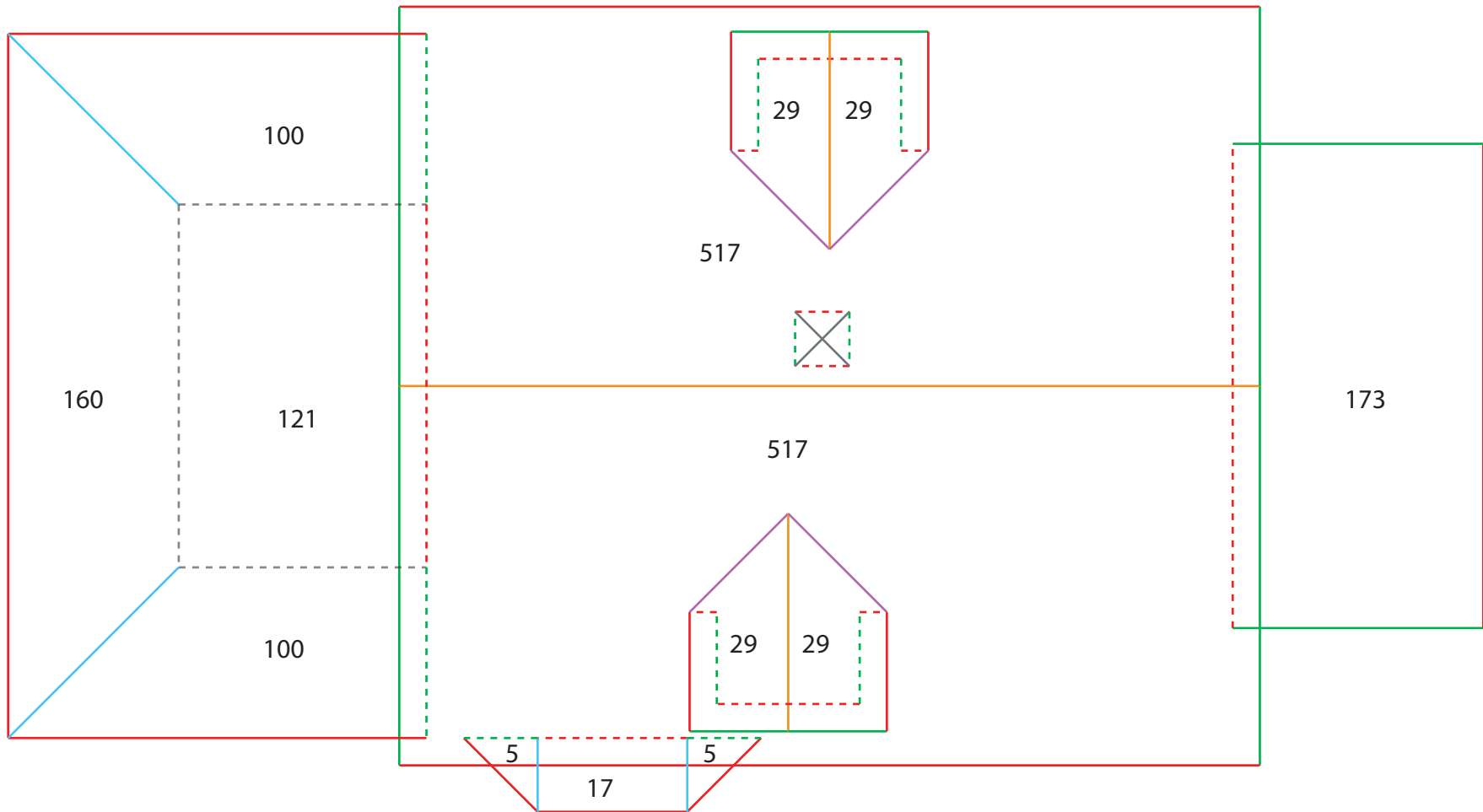
**Hips = 29.2 ft**

**Valleys = 26.4 ft**

**Apron Flashing = 46.2 ft**

**Step Flashing = 46.6 ft**

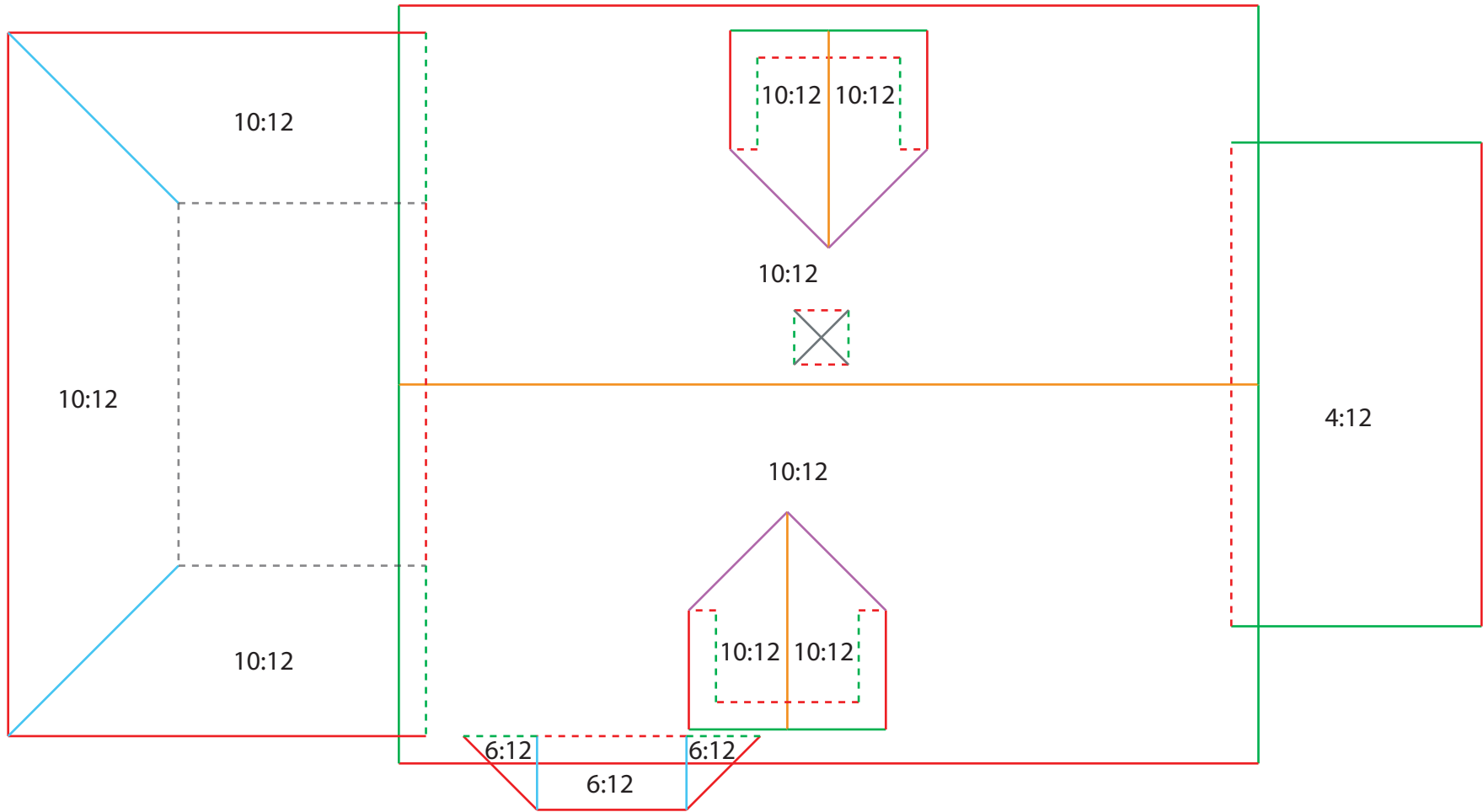
## Area Measurements



### Waste Factor Calculation: 1831 Sqft , 18.31 Sqft

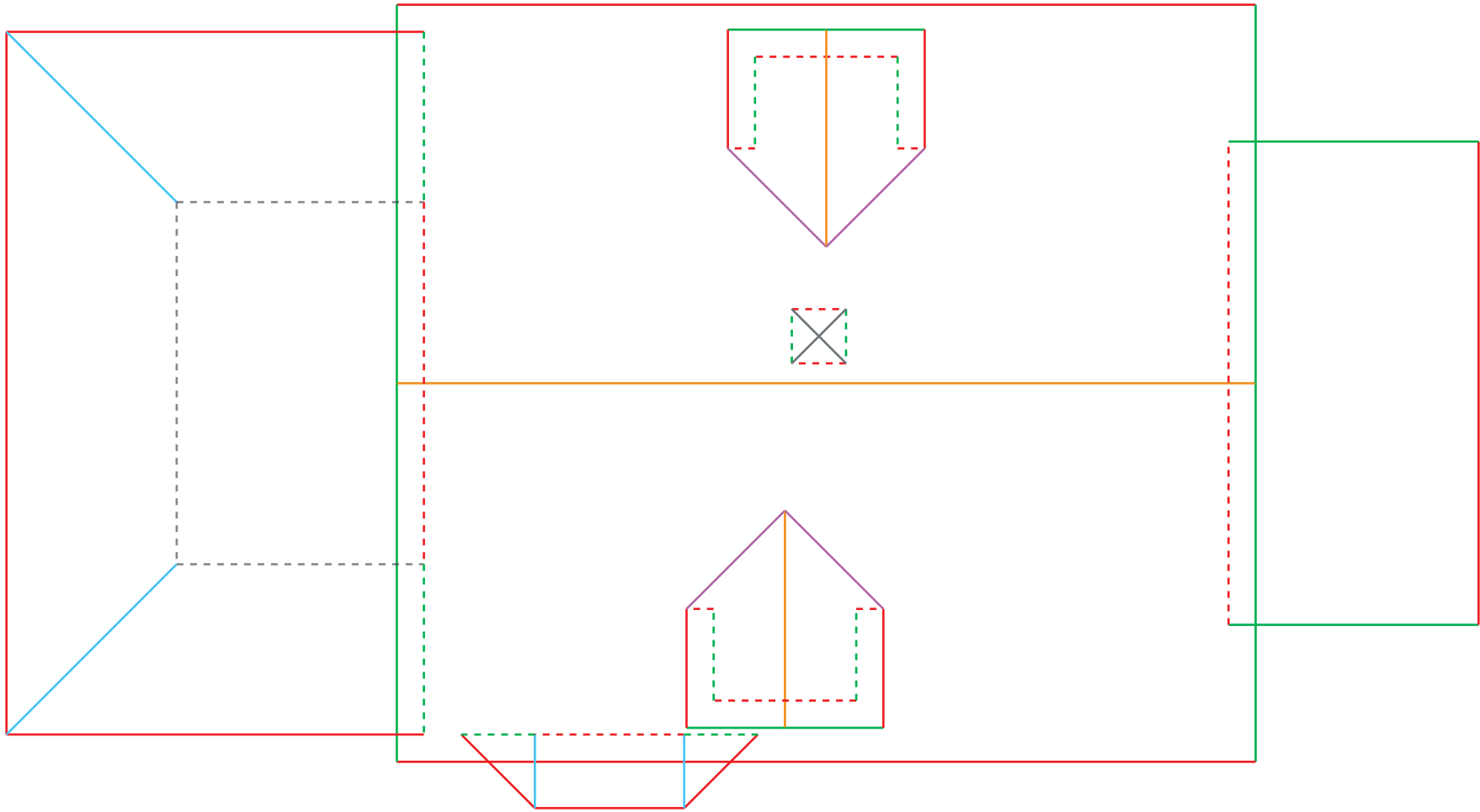
| 5%    | 10%   | 15%   | 17%   | 20%   | 22%   | 25%   |
|-------|-------|-------|-------|-------|-------|-------|
| 36.71 | 38.41 | 40.11 | 40.79 | 41.81 | 42.49 | 43.51 |

## Pitch Measurements



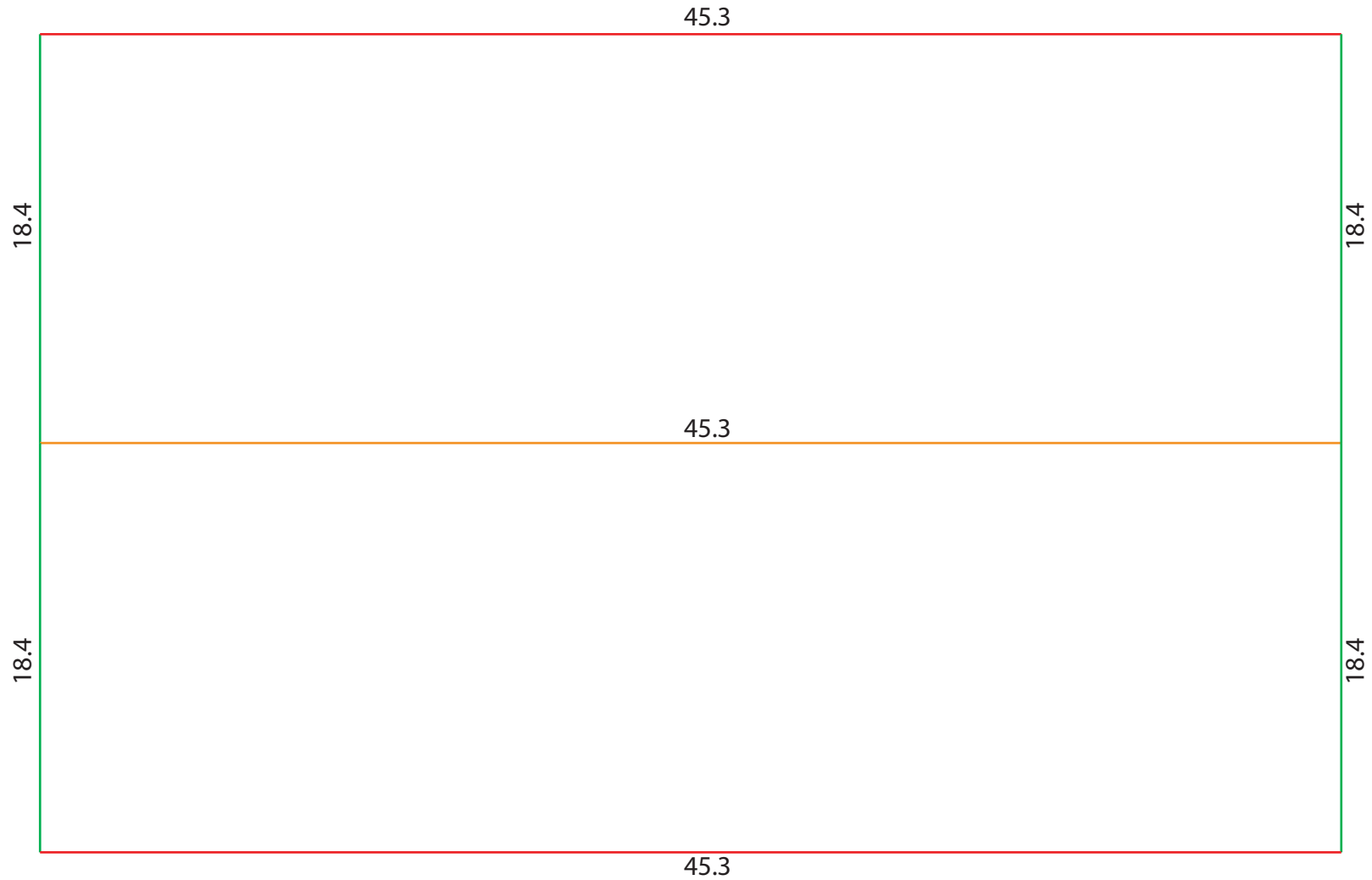
10:12

## Notes Diagram



Field Notes

## Length Measurements



### Legend

Eaves = 90.6 ft

Rakes = 73.6 ft

Ridges = 45.3 ft

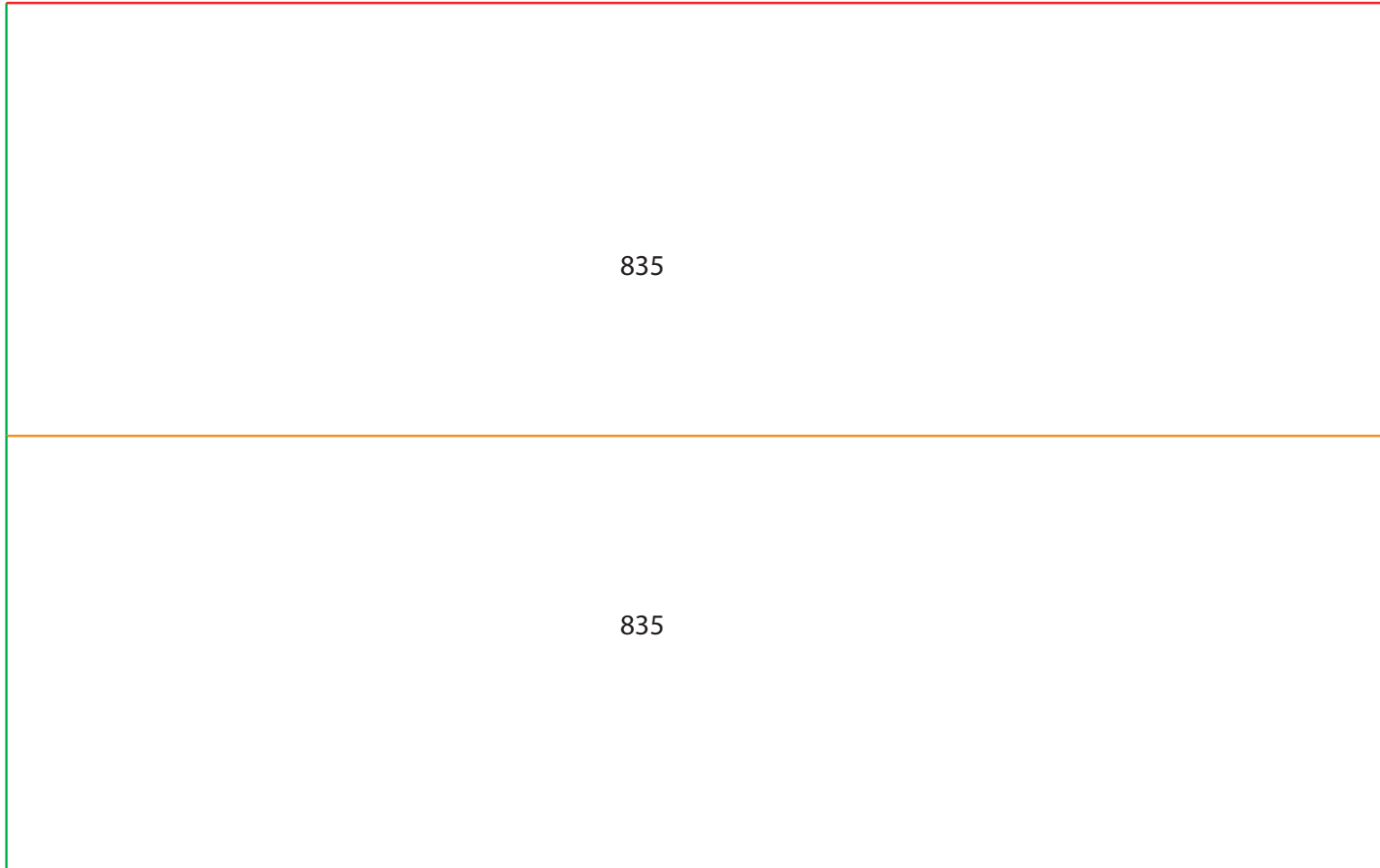
Hips = 00 ft

Valleys = 00 ft

Apron Flashing = 0000 ft

Step Flashing = 0000 ft

## Area Measurements



### Waste Factor Calculation: 1670 Sqft , 16.70 Sqft

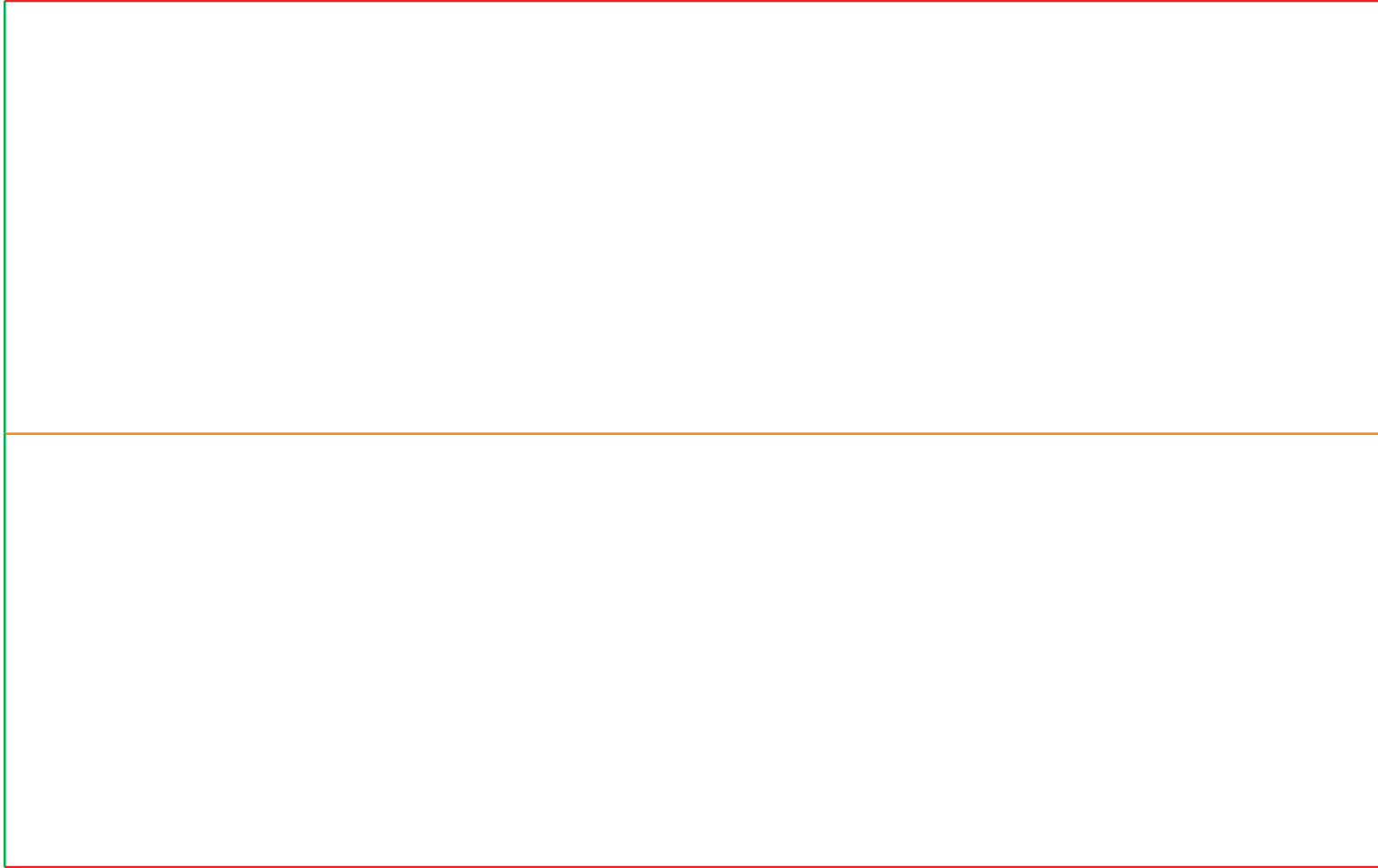
| 5%    | 10%   | 15%   | 17%   | 20%   | 22%   | 25%   |
|-------|-------|-------|-------|-------|-------|-------|
| 36.71 | 38.41 | 40.11 | 40.79 | 41.81 | 42.49 | 43.51 |

## Pitch Measurements



10:12

## Notes Diagram



## Images



## Field Notes